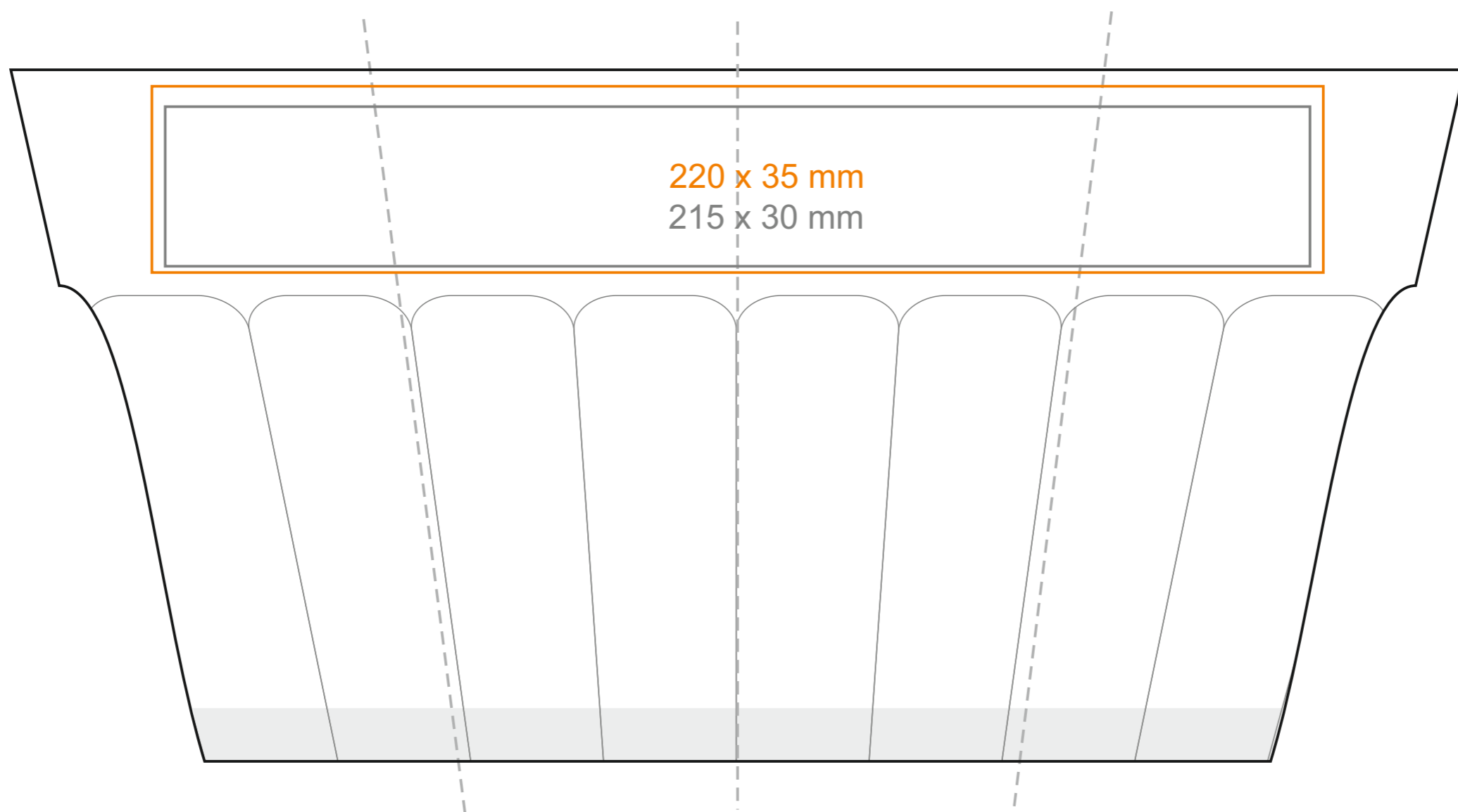
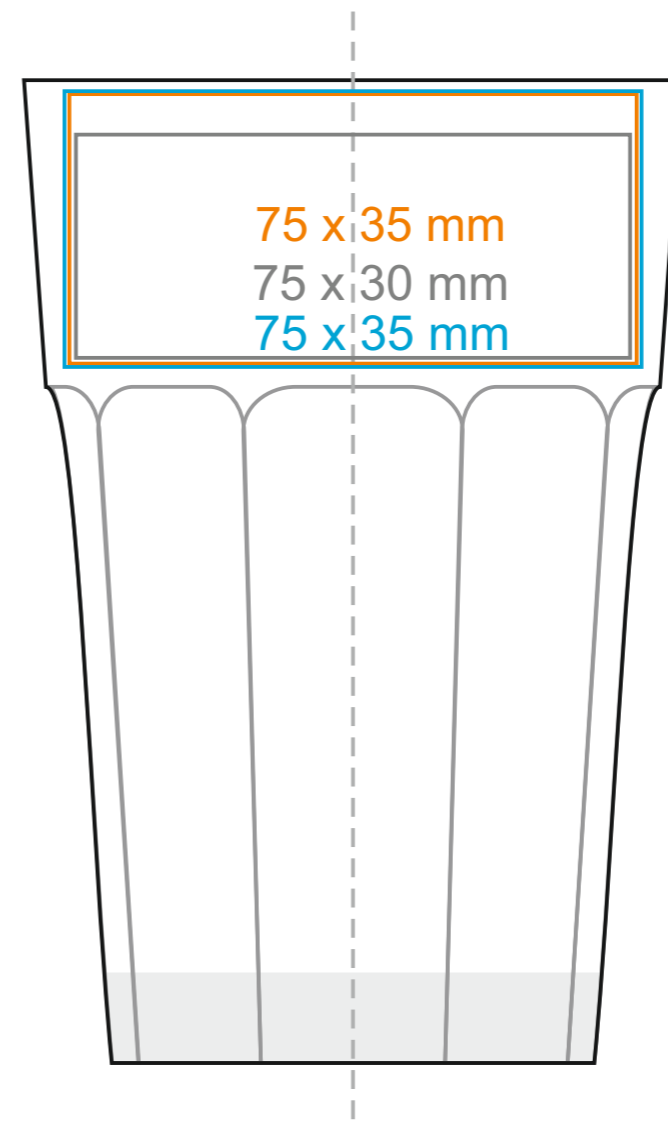
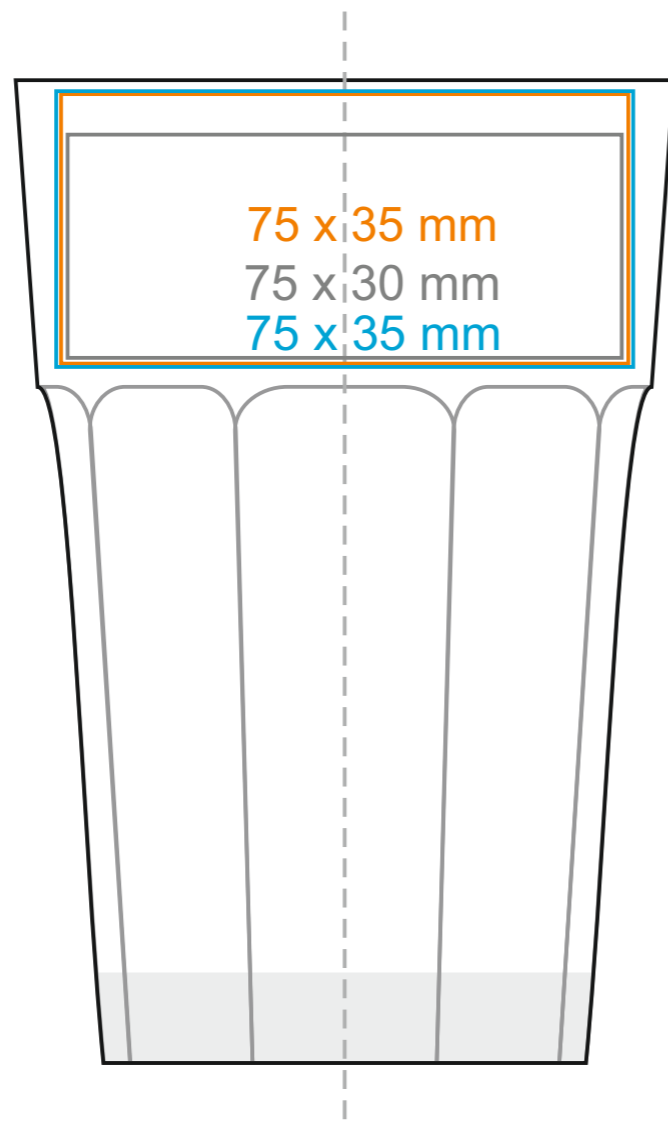


G_527 Max Supra

350ml / h: 130 mm / Ø 87 mm



*In the case of projects for transfer print running outside of the standard print area, please contact our sales department.

[How to prepare print material](#)

meaning

- Transfer Print
- Laser Engraving
- Direct Print